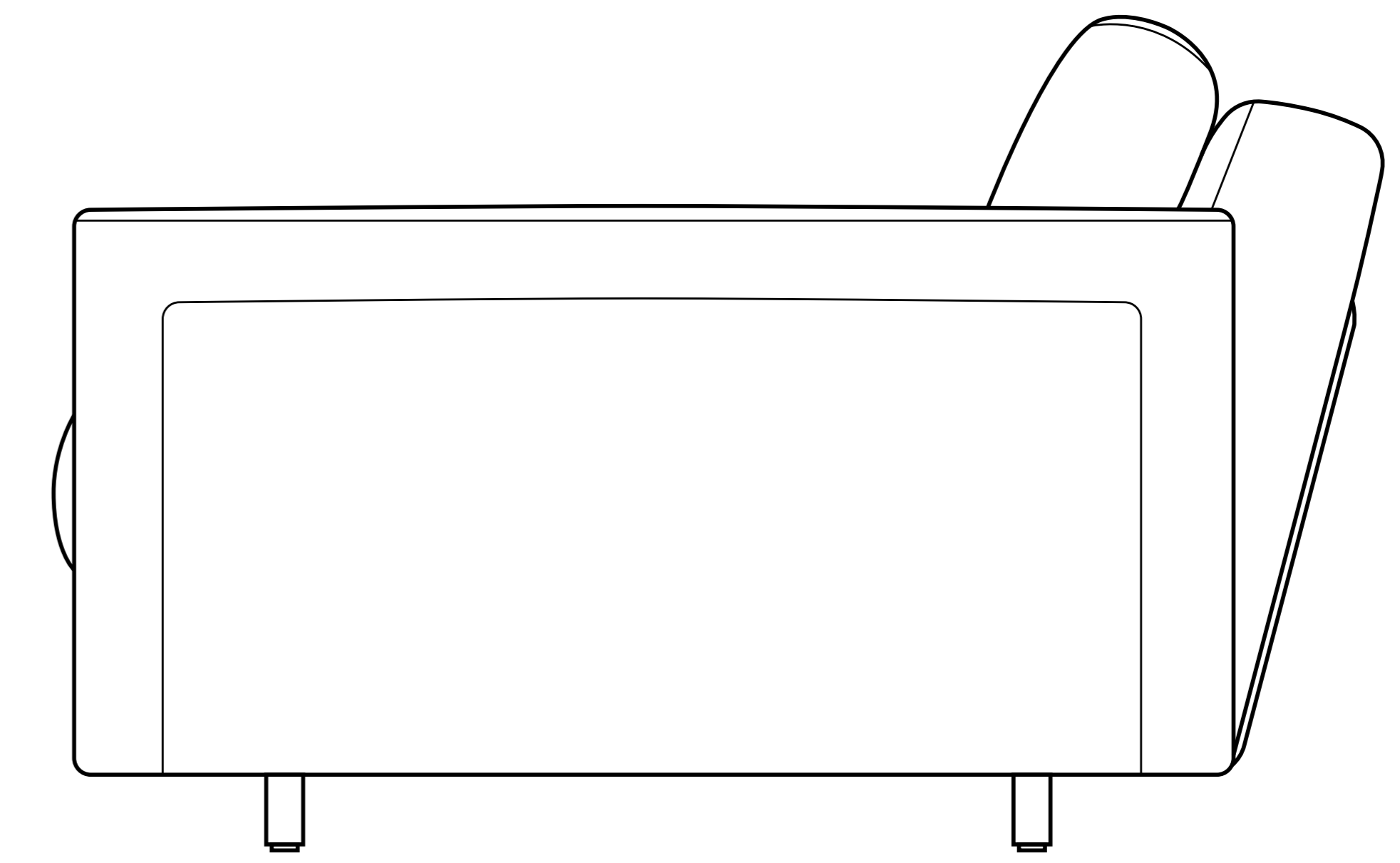
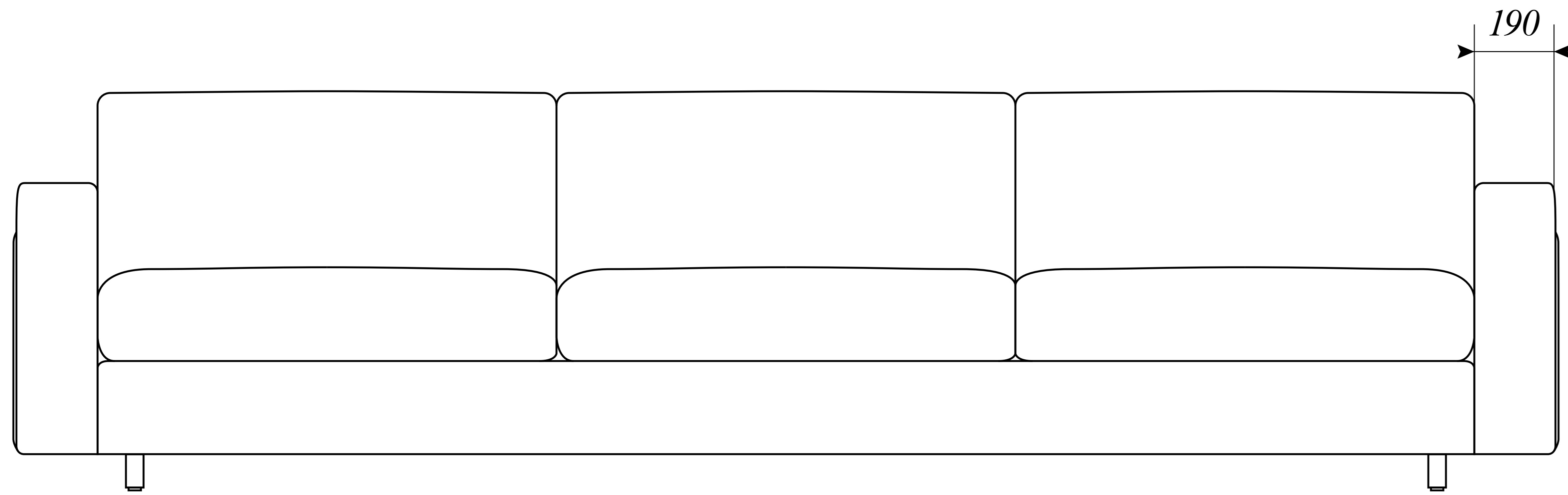


← 2000/2300 →



← 700 →

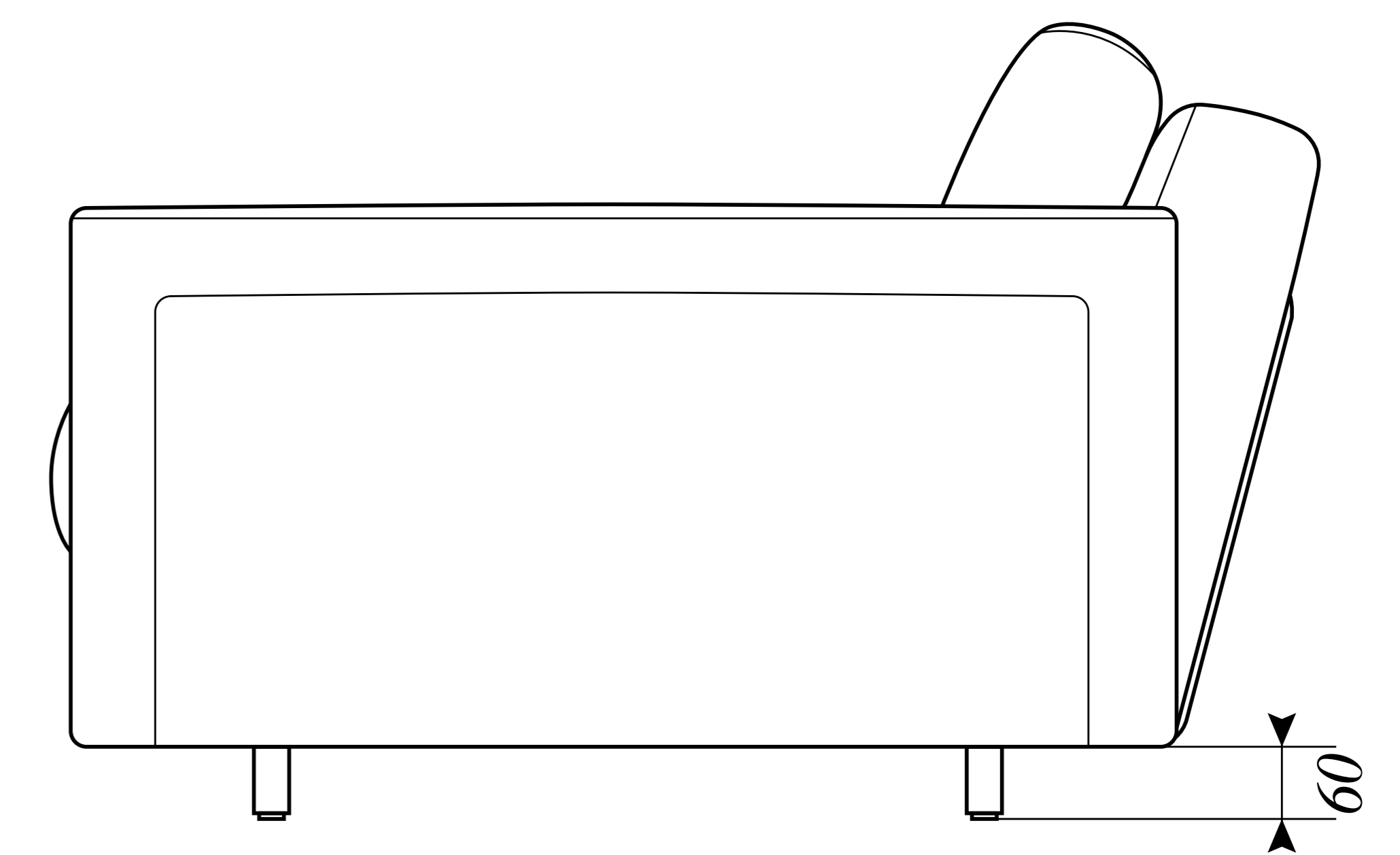
↑ 770 ↓



← 2700 →

↑ 190 ↓

↑ 380 ↓



← 1140 →

↑ 60 ↓